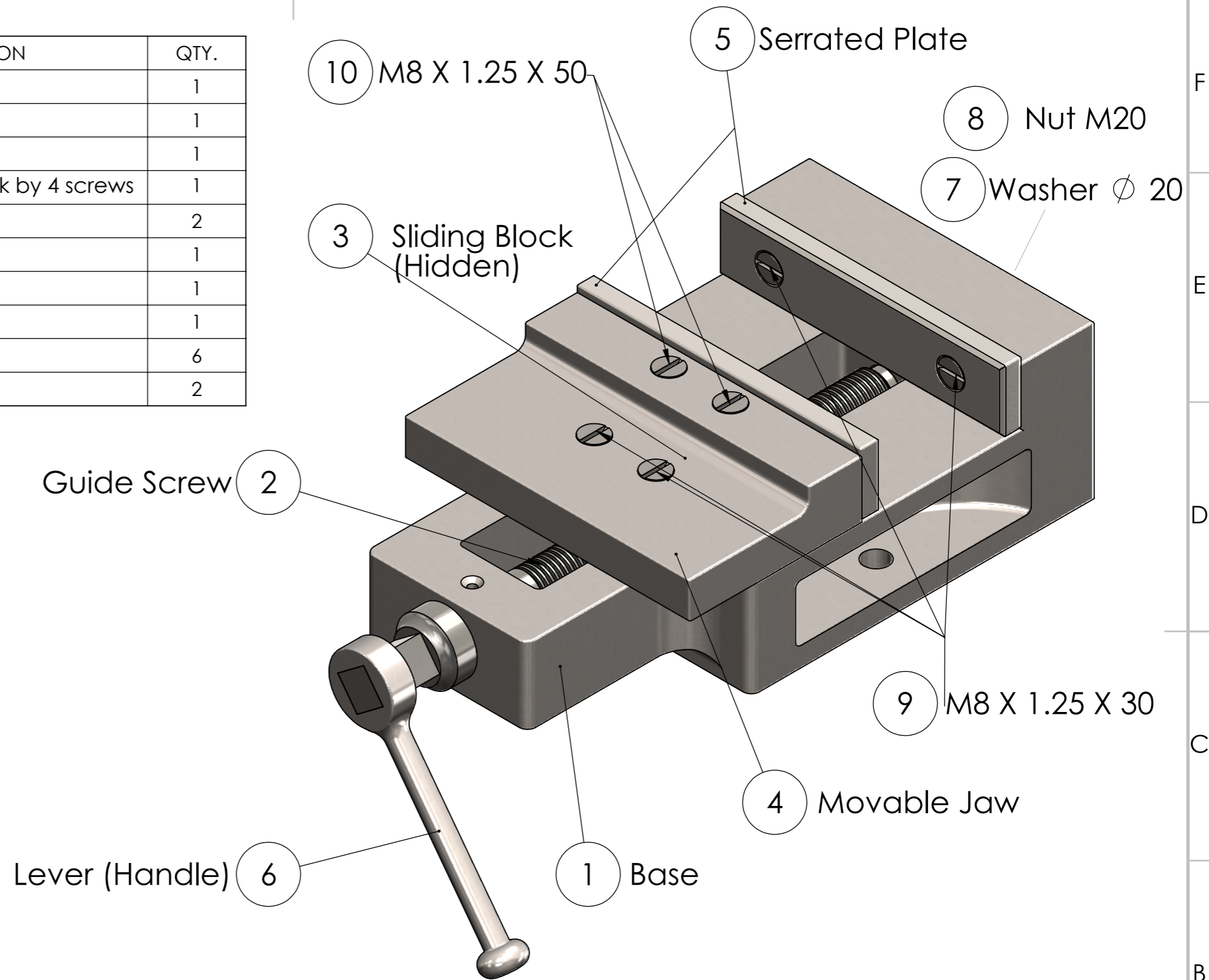


ITEM NO.	PART NUMBER	DESCRIPTION	QTY.
1	BASE		1
2	GUIDE-SCREW		1
3	SLIDING-BLOCK		1
4	MOVABLE-JAW	Fixed to Sliding Block by 4 screws	1
5	SERRATED-PLATE		2
6	LEVER		1
7	Washer 20		1
8	Nut M20		1
9	M8 x 1.25 x 30 Slotted		6
10	M8 x 1.25 x 50 Slotted		2



UNLESS OTHERWISE SPECIFIED: DIMENSIONS ARE IN MILLIMETERS SURFACE FINISH: TOLERANCES: LINEAR: ANGULAR:			FINISH:	DEBURR AND BREAK SHARP EDGES	DO NOT SCALE DRAWING	REVISION
DRAWN	NAME	SIGNATURE	DATE		TITLE:	
CHK'D						
APPV'D						
MFG						
Q.A				MATERIAL:	DWG NO.	A3
				WEIGHT:	SCALE:1:2	SHEET 1 OF 1

Machine Vice