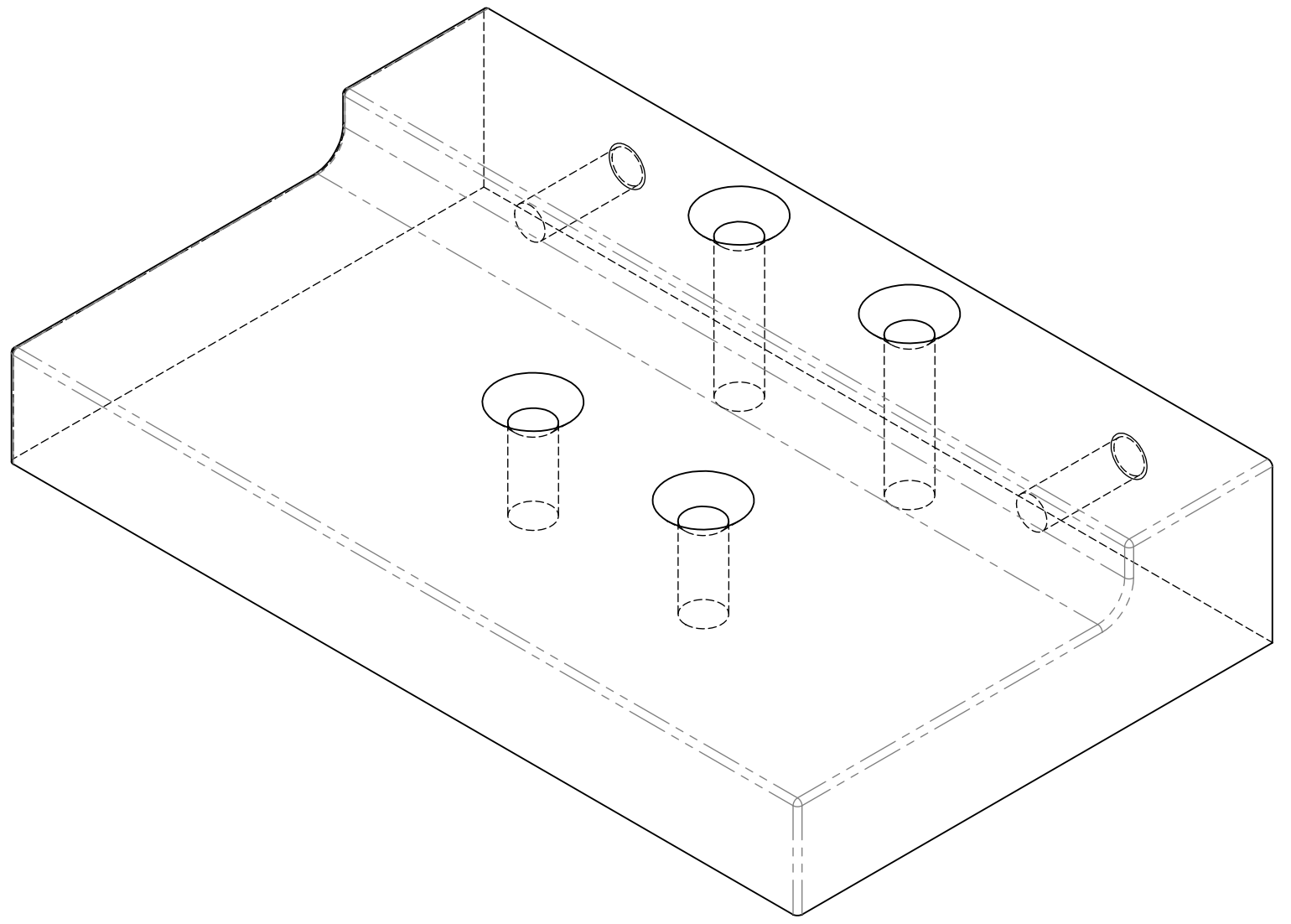


4 HOLES DIA 8 CSK DIA 16

M8x1.25



UNLESS OTHERWISE SPECIFIED: DIMENSIONS ARE IN MILLIMETERS SURFACE FINISH: TOLERANCES: LINEAR: ANGULAR:			FINISH:		DEBURR AND BREAK SHARP EDGES		DO NOT SCALE DRAWING		REVISION		
							First Angle				
							TITLE:				
							DWG NO. <b>MOVABLE-JAW</b>				
							SCALE:1:2				
							SHEET 1 OF 1				
DRAWN		NAME		SIGNATURE		DATE		MATERIAL:		A3	
CHK'D								WEIGHT:			
APPV'D											
MFG											
Q.A											