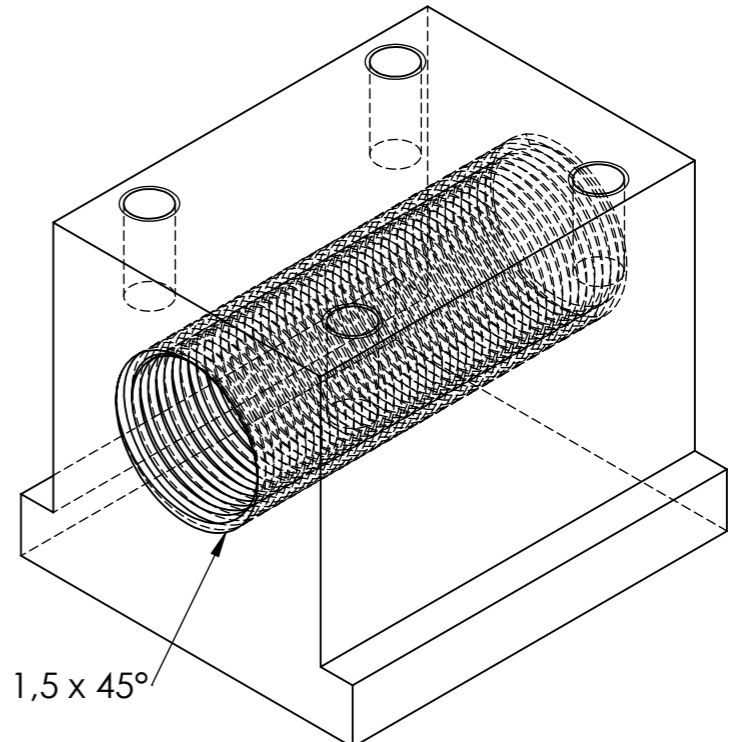
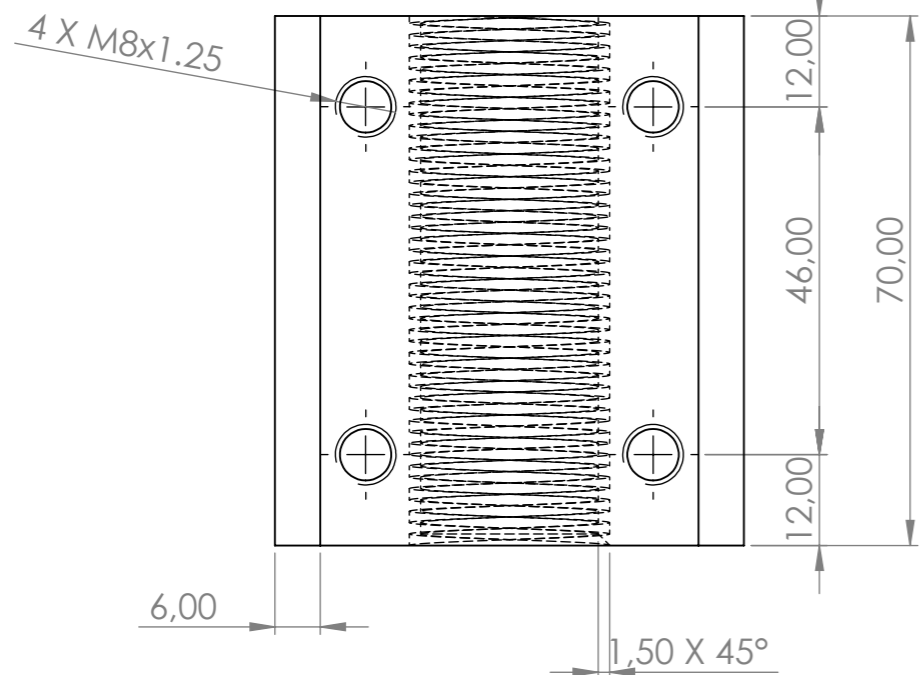


SQUARE THREAD DIA 25 PITCH 3 LEFT



CHAMFER 1,5 x 45°

UNLESS OTHERWISE SPECIFIED: DIMENSIONS ARE IN MILLIMETERS			FINISH:		DEBURR AND BREAK SHARP EDGES		DO NOT SCALE DRAWING		REVISION		
SURFACE FINISH:							First Angle				
TOLERANCES:							TITLE:				
LINEAR:											
ANGULAR:											
DRAWN		NAME		SIGNATURE		DATE		DWG NO.		A3	
CHK'D								SLIDING-BLOCK			
APPV'D								SCALE:1:1		SHEET 1 OF 1	
MFG											
Q.A						MATERIAL:					
						WEIGHT:					