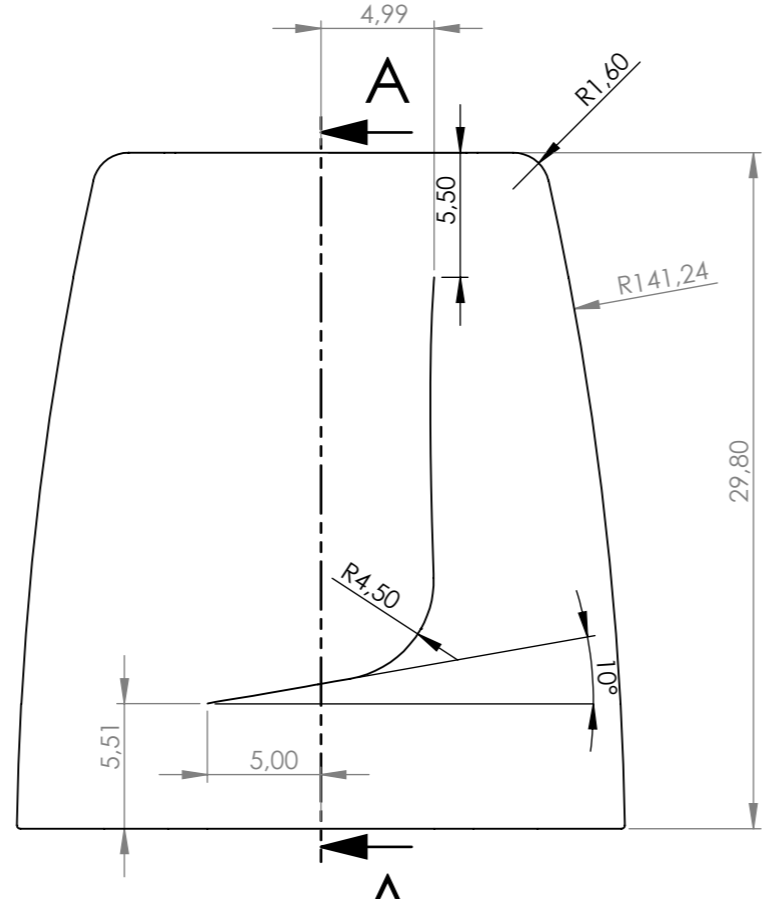
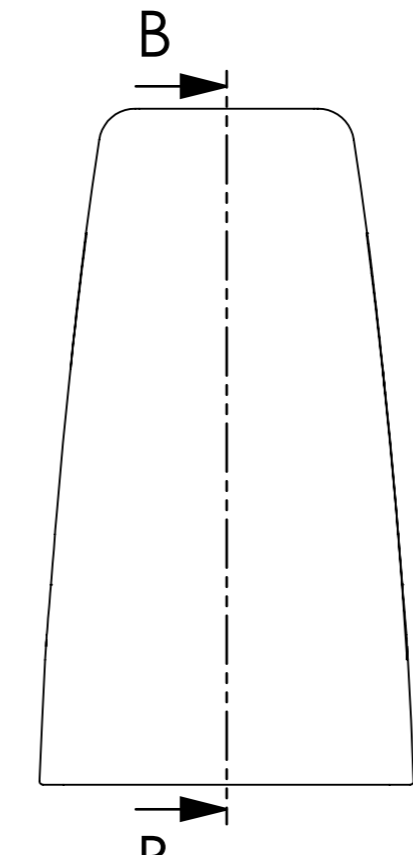


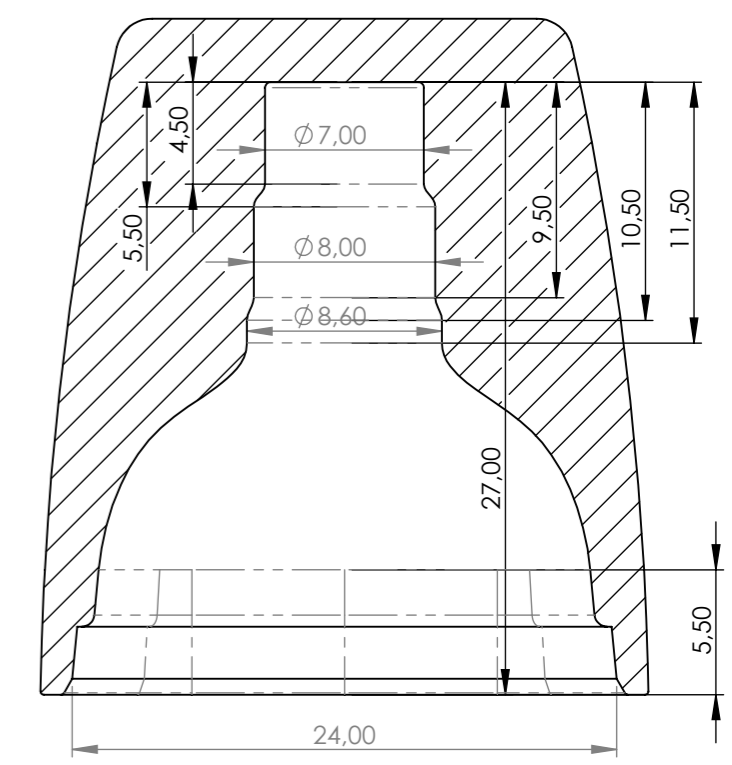
SECTION A-A



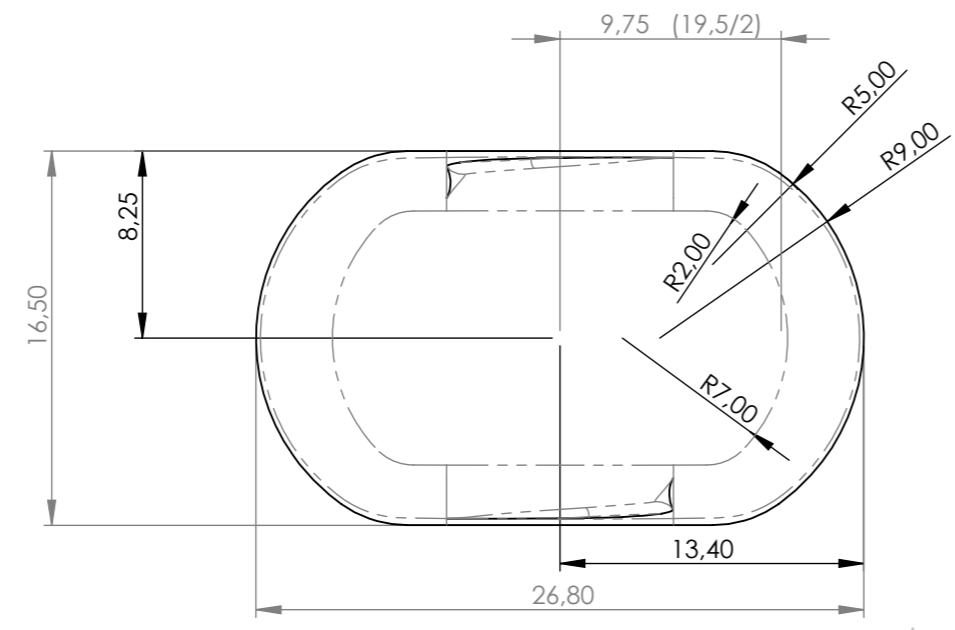
A



B



SECTION B-B



UNLESS OTHERWISE SPECIFIED: DIMENSIONS ARE IN MILLIMETERS				FINISH:		DEBURR AND BREAK SHARP EDGES		DO NOT SCALE DRAWING		REVISION	
SURFACE FINISH:								Projection: 1st Angle			
TOLERANCES:								TITLE: Marker Cap			
LINEAR:								DRAWN			
ANGULAR:								CHK'D			
								APPV'D			
								MFG			
								Q.A			
						MATERIAL:		DWG NO. Marker-E			
								SCALE:3:1			
								SHEET 1 OF 1			
								A3			