

8

7

6

5

4

3

2

1

F

E

D

C

B

A

F

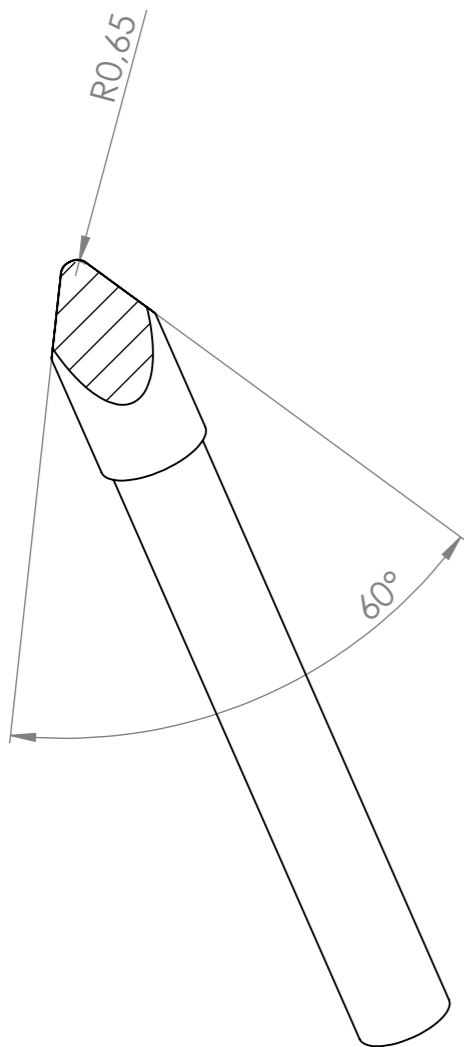
E

D

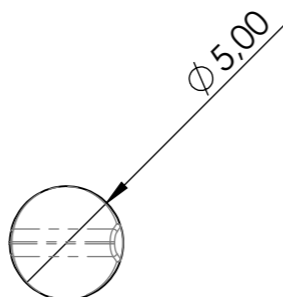
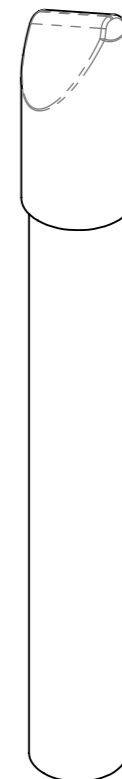
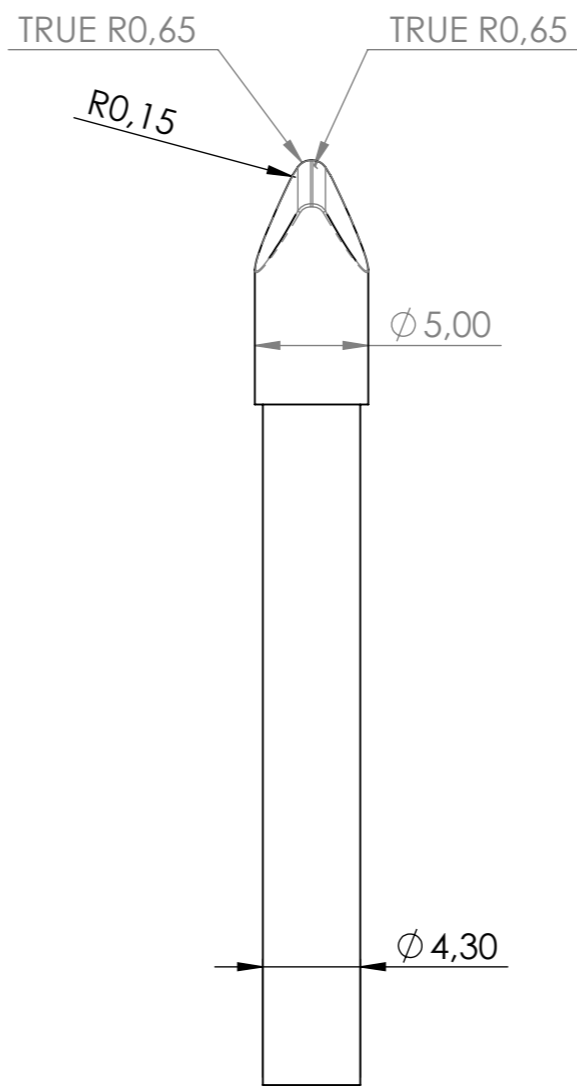
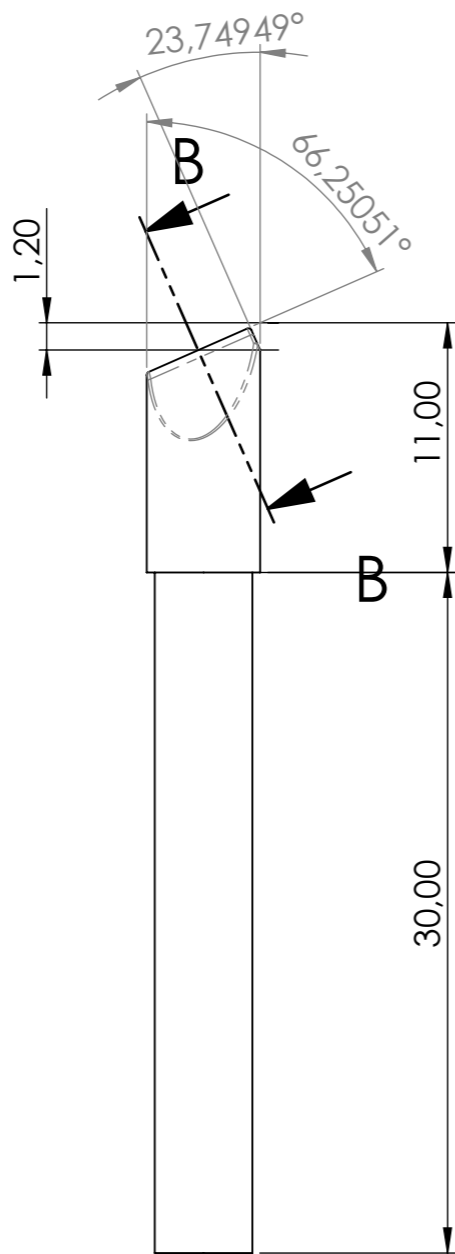
C

B

A



SECTION B-B



UNLESS OTHERWISE SPECIFIED: DIMENSIONS ARE IN MILLIMETERS				FINISH:		DEBURR AND BREAK SHARP EDGES		DO NOT SCALE DRAWING		REVISION	
SURFACE FINISH:								Projection: 1st Angle			
TOLERANCES:								TITLE:			
LINEAR:								Marker's Tip			
ANGULAR:								Marker-D			
DRAWN		NAME		SIGNATURE		DATE		DWG NO.		A3	
CHK'D								SCALE:3:1		SHEET 1 OF 1	
APPV'D								WEIGHT:			
MFG											
Q.A											