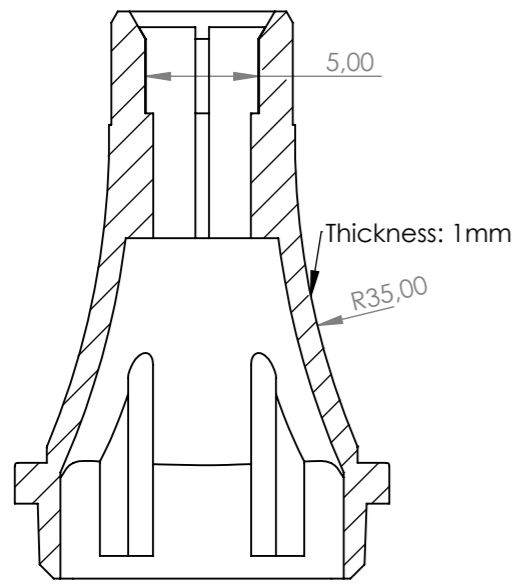
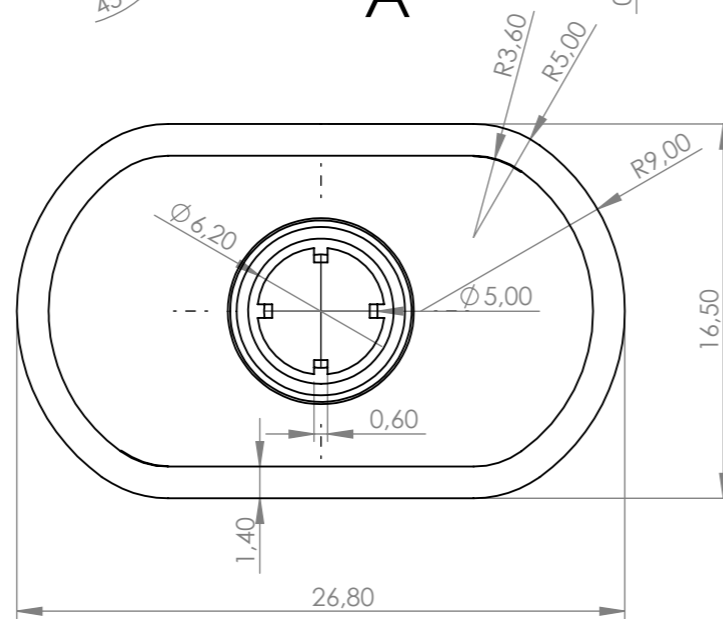


SECTION B-B
SCALE 3:1



SECTION A-A
SCALE 3:1



UNLESS OTHERWISE SPECIFIED: DIMENSIONS ARE IN MILLIMETERS				FINISH:		DEBURR AND BREAK SHARP EDGES		DO NOT SCALE DRAWING		REVISION	
SURFACE FINISH:								Projection: 1st Angle			
TOLERANCES:								TITLE: Marker's Top			
LINEAR:								DWG NO. Marker-C			
ANGULAR:								A3			
DRAWN				NAME		SIGNATURE		DATE		SCALE:3:1	
CHK'D										SHEET 1 OF 1	
APPV'D											
MFG											
Q.A											
						MATERIAL:					
						WEIGHT:					