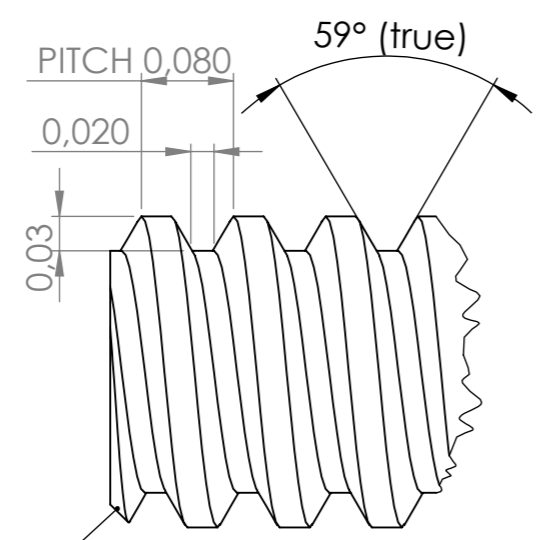
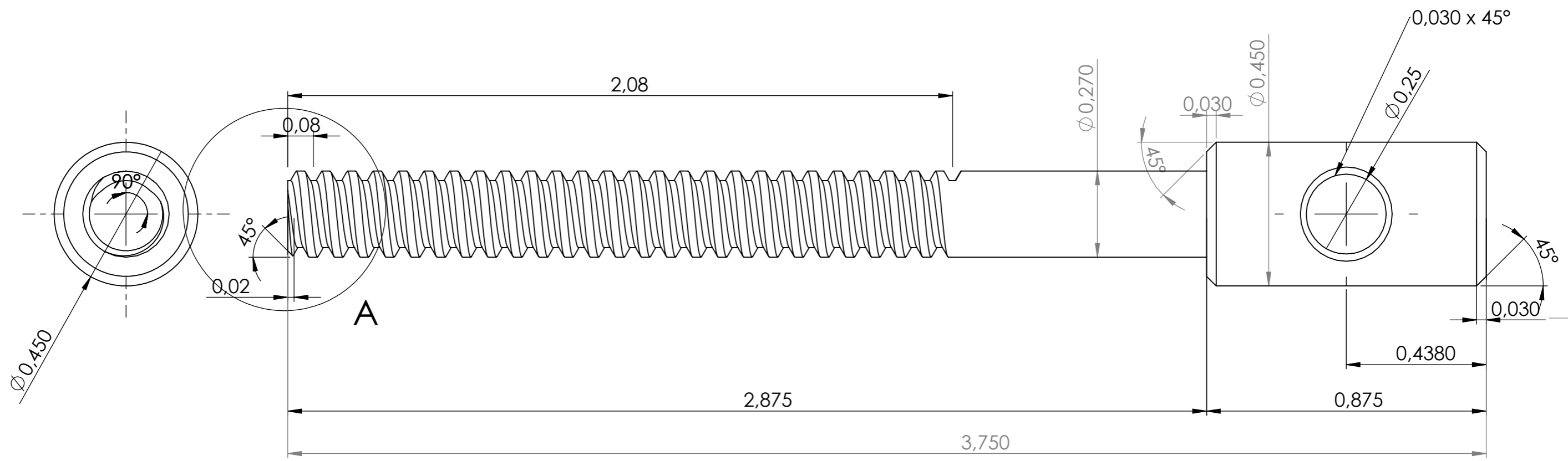


8 7 6 5 4 3 2 1

F  
E  
D  
C  
B  
A

F  
E  
D  
C  
B  
A



CHAMFER 0,020 X 45°

**DETAIL A**  
SCALE 6 : 1

UNLESS OTHERWISE SPECIFIED: DIMENSIONS ARE IN MILLIMETERS SURFACE FINISH: TOLERANCES: LINEAR: ANGULAR:			FINISH:		DEBURR AND BREAK SHARP EDGES		DO NOT SCALE DRAWING		REVISION		
							Third Angle - Inch				
							TITLE:				
							DWG NO.				
							SCALE:3:1				
							SHEET 1 OF 1				
DRAWN			SIGNATURE		DATE		MATERIAL:		A3		
CHK'D							WEIGHT:				
APPV'D											
MFG											
Q.A											

**Lead Screw**

A3

8 7 6 5 4 3 2 1