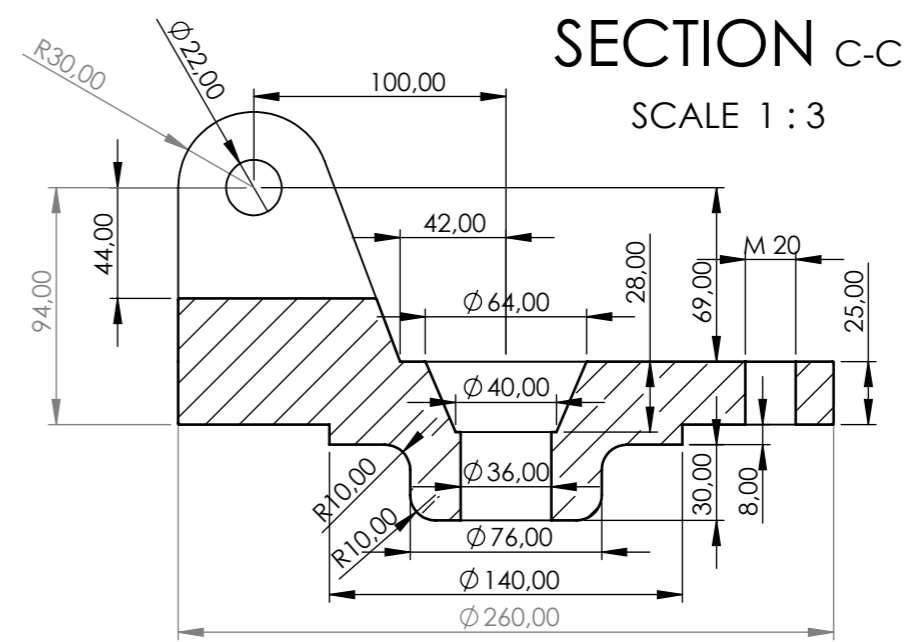
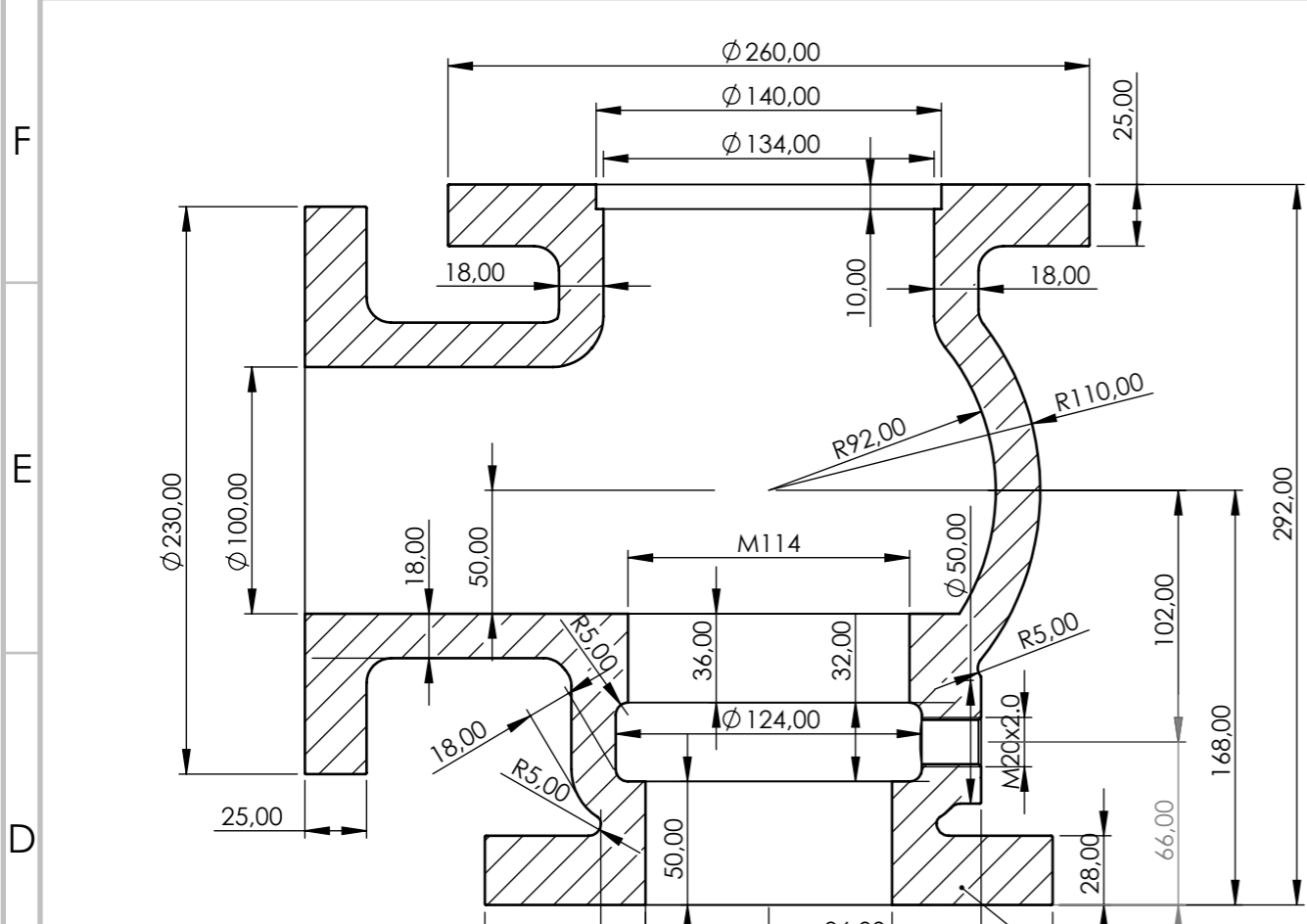
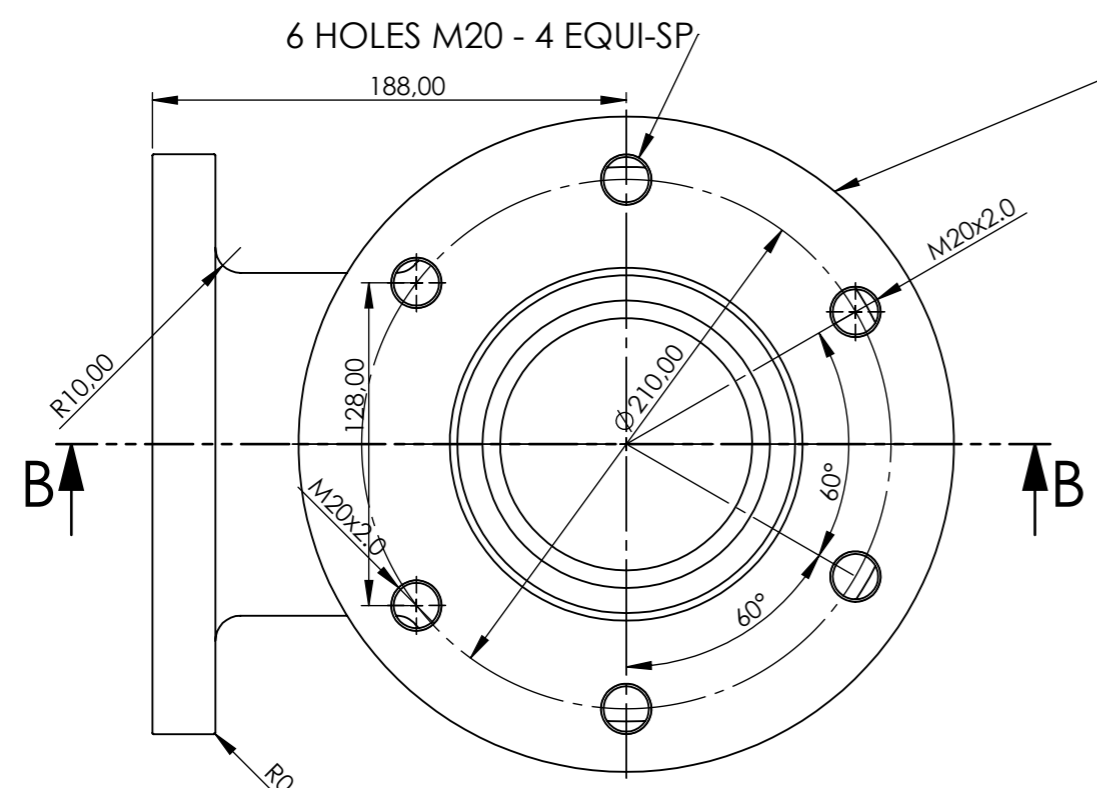
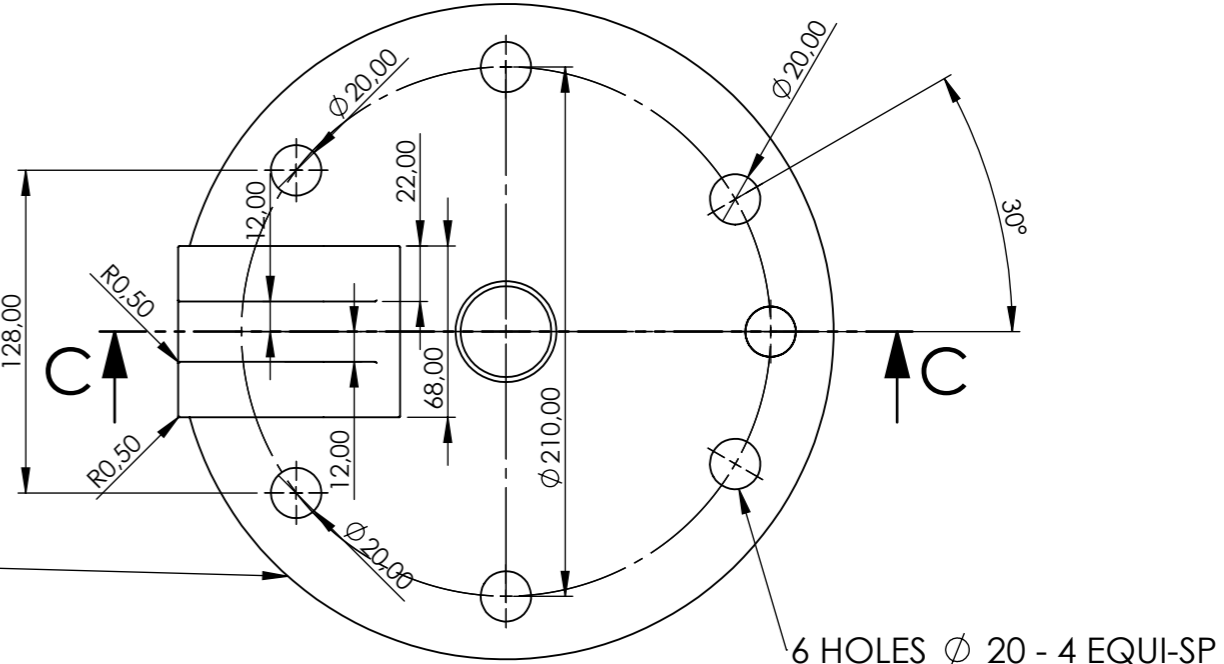


8 7 6 5 4 3 2 1



SECTION B-B  
SCALE 1 : 3



1

4

UNLESS OTHERWISE SPECIFIED: DIMENSIONS ARE IN MILLIMETERS		FINISH:		DEBURR AND BREAK SHARP EDGES		DO NOT SCALE DRAWING		REVISION	
SURFACE FINISH:									
TOLERANCES:									
LINEAR:									
ANGULAR:									
DRAWN		NAME	SIGNATURE	DATE			TITLE:		
CHK'D									
APPV'D									
MFG									
Q.A					MATERIAL:	DWG NO.		A3	
					WEIGHT:	SCALE:1:5		SHEET 2 OF 4	
						LeverSafetyValve			

8 7 6 5 4 3 2 1