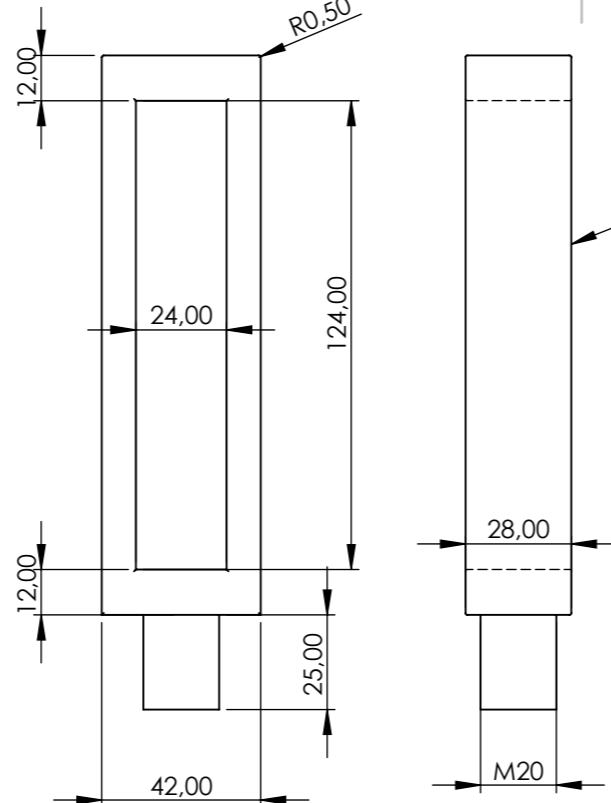
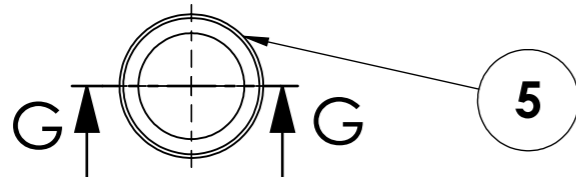
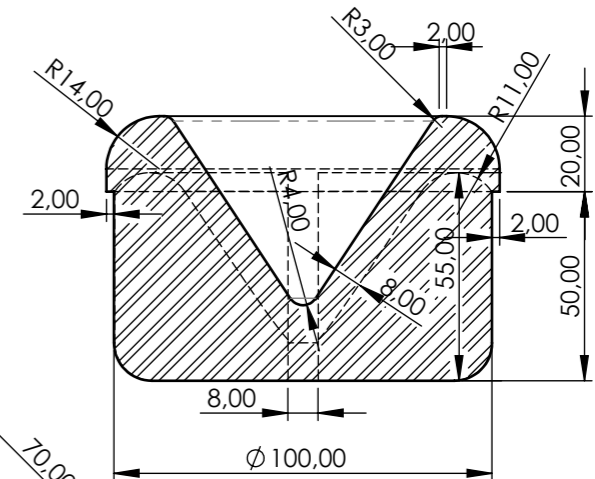


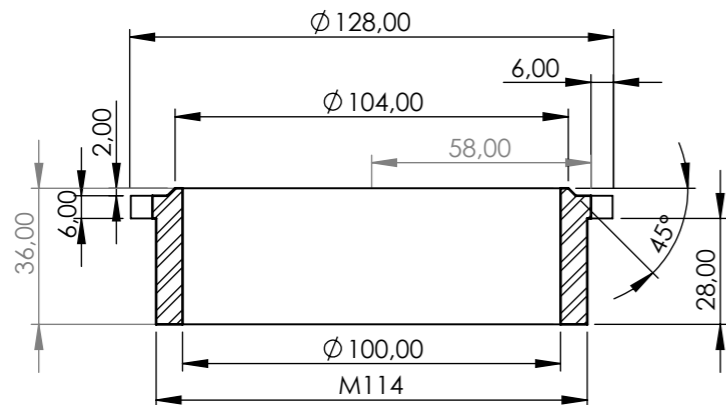
SECTION G-G



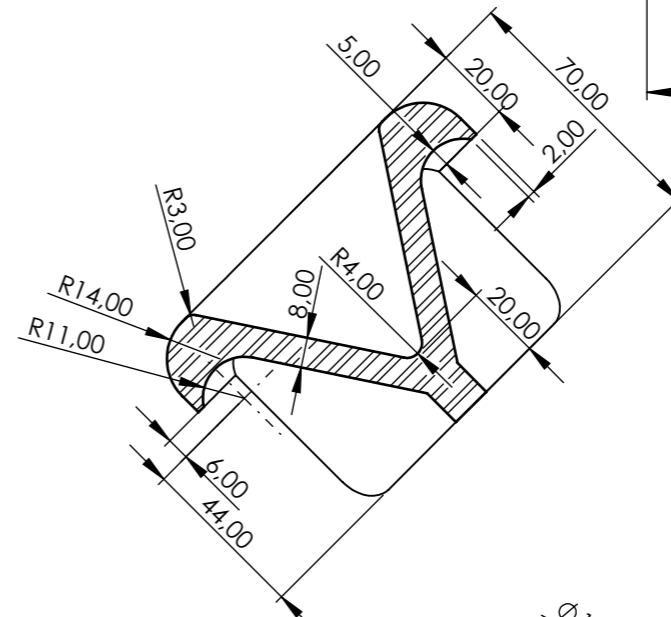
9



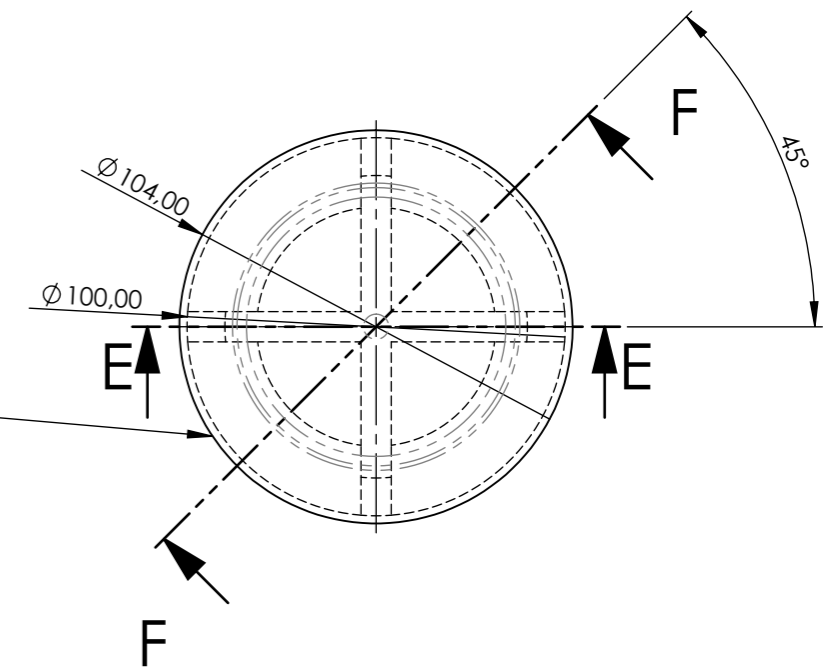
SECTION E-E



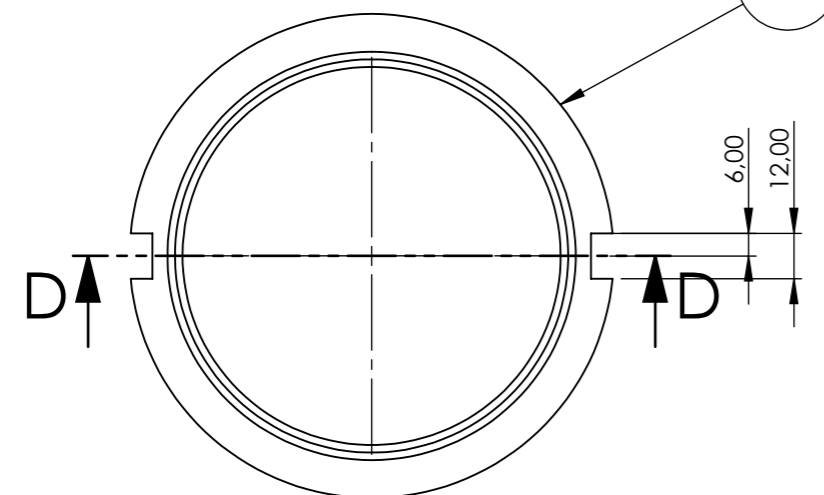
SECTION D-D



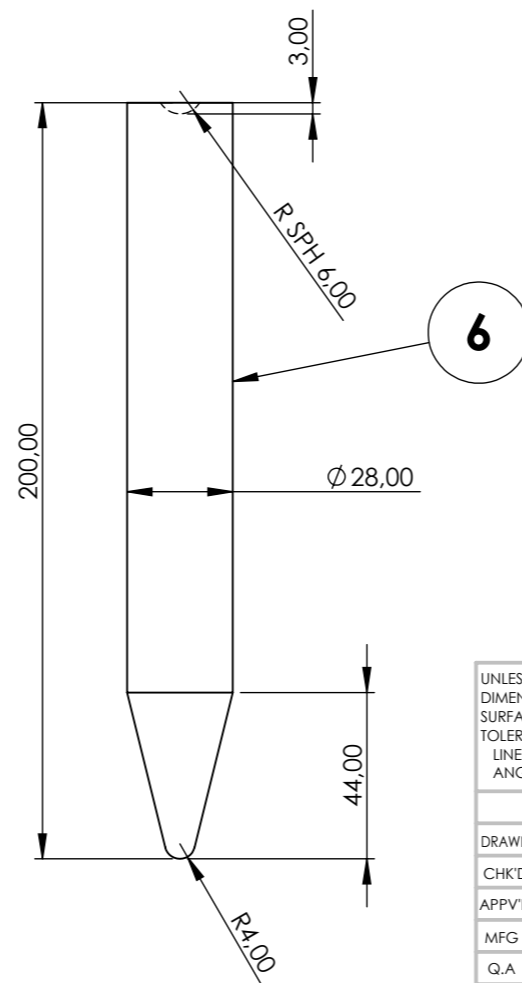
SECTION F-F



3



2



6

UNLESS OTHERWISE SPECIFIED: DIMENSIONS ARE IN MILLIMETERS SURFACE FINISH: TOLERANCES: LINEAR: ANGULAR:			FINISH:		DEBURR AND BREAK SHARP EDGES		DO NOT SCALE DRAWING		REVISION		
DRAWN			NAME		SIGNATURE		DATE		TITLE:		
CHK'D											
APPV'D											
MFG											
Q.A							MATERIAL:		DWG NO.		
									LeverSafetyValve A3		
							WEIGHT:		SCALE:1:2		
									SHEET 3 OF 4		